

SONY

Hi-Fi Products
Service Bulletin

Sony Service Company - Technical Services
A Division of Sony Corporation of America
Sony Drive, Park Ridge, New Jersey 07656

Model: CDP-C10

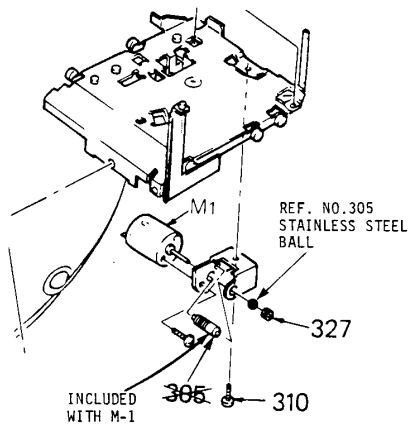
No. 34

Subject: Part Number Correction - Worm Gear **Date:** September 19, 1988

Symptom:
(**)

The exploded view on Page 44 shows Reference Number 305 as being a worm gear. This is incorrect. The worm gear is included with the motor (M1) and is not available separately. Reference Number 305 is the stainless steel ball which is seated at the end of the worm gear.

Solution:



Compact Disc
CSA-13